

SNFC1000-M

TI RF430CL330H
DYNAMIC NFC INTERFACE TRANSPONDER
UART Interface



Smart Design Technology Co., Ltd.

20F-8, No.107, Sec 1, Jhongshan Rd. Sinhuang City,
Taipei County 242, Taiwan

Phone: +886-2-8522-7628

Fax: +886-2-8522-7784

Contact: sales@smartdesign.com.tw

Documentation History

Revision	Description	Date	Remark
V0.1	SNFC1000 release	Nov 2013	
V0.2	Cable specification TX,RX voltage Command flow chart		

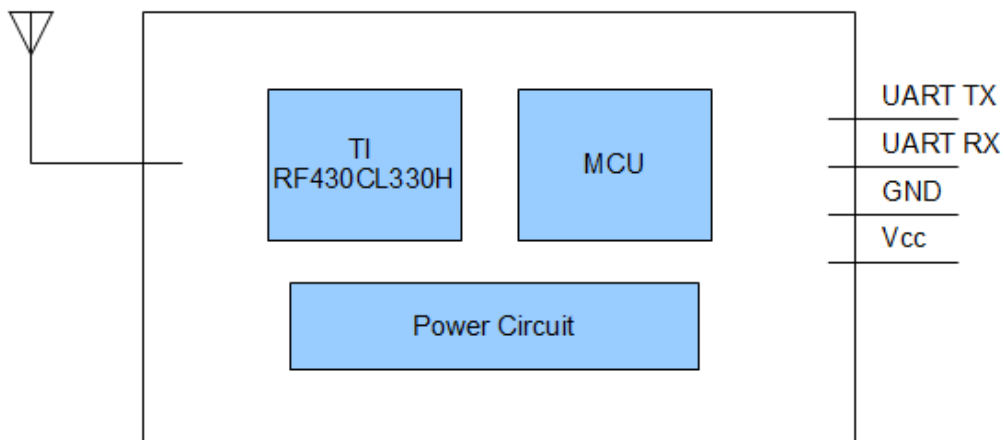
Content

Features.....	4
Block Diagram.....	4
Technical Specifications.....	5
PIN Definition (J1).....	6
Dimension.....	7
Software.....	7

Features

- NFC Tag Type 4.
- 3kB SRAM for NDEF Messages.
- ISO14443B Compliant 13.56-MHz RF Interface .
- Automatic Checking of NDEF Structure.
- Supports up to 848 kbps .
- Low power consumption.
- UART Interface to Write and Read NDEF NDEF Read or Write Completion Messages to Internal SRAM
- Application:
Automotive
Home entertainment system
Stereo Speaker

Block Diagram



Technical Specifications

1. Electrical Characteristics

1.1 Chip set	NFC Chip MCU	TI RF430CL330H ST STM8
1.2 Interface	UART Baud Rate	115200
1.3 Power	Input voltage Current	5V +/- 3% 10mA @ 5V max

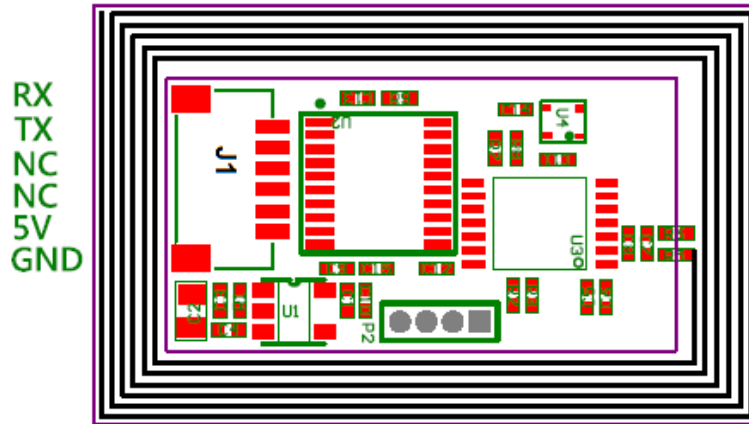
2. Environmental Characteristics

2.1 Temperature	Operating range Storage	- 30 °C to + 80 °C - 40 °C to + 105 °C
2.2 Mechanical dimensions	Diameter	30 X 15 mm
2.3 Interface		6 pin male connector (Pitch 1.0)

3. Software

3.1 Interface	UART
3.2 Command	NFC Command Manual

PIN Definition (J1)



Pin #	Name	Type	Description
1	RX	I/O	UART input RX, 3.3V +/- 3%
2	TX	I/O	UART output TX, 3.3V +/- 3%
3	NC	NC	
4	NC	NC	
5	Vcc	PWR	DC 5V +/- 3%
6	GND	PWR	Ground

1*6 Pitch 1.0mm

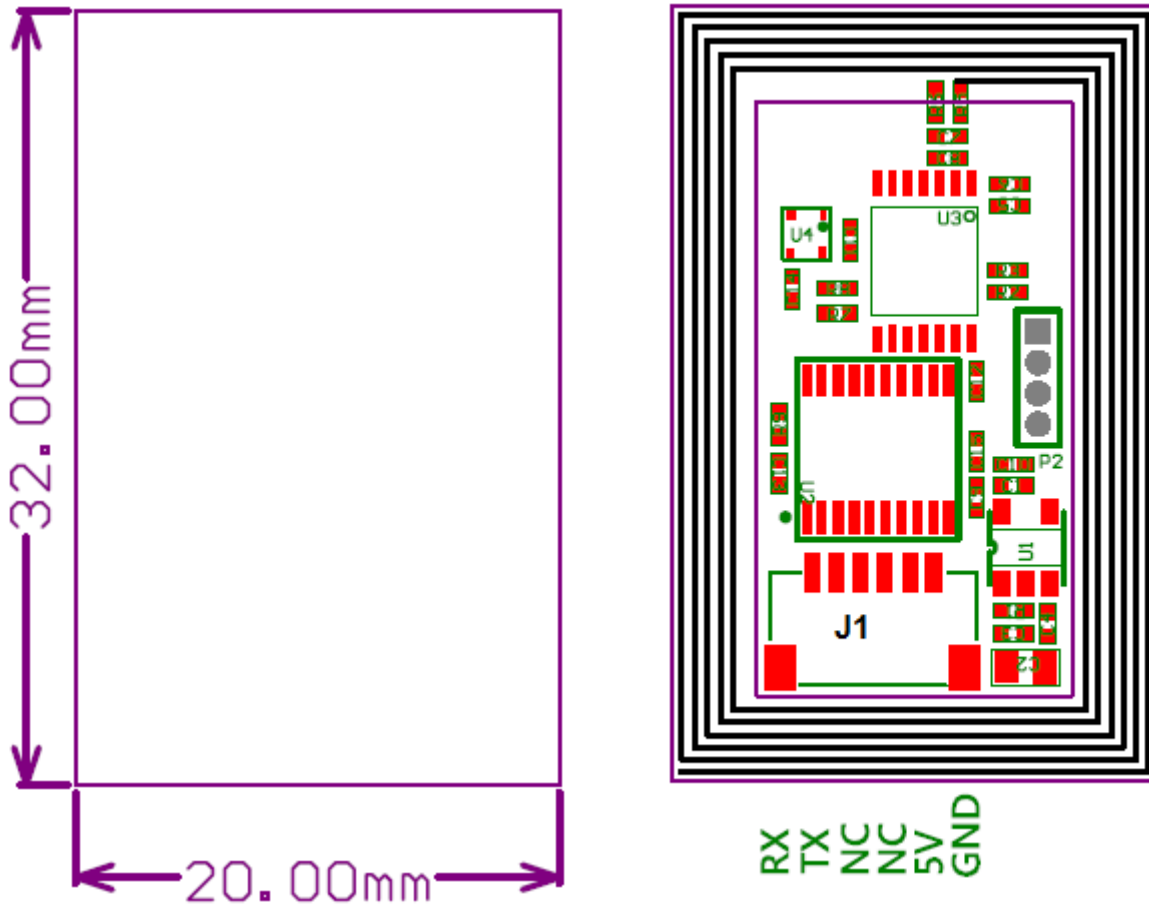
Male connector on SNFC1000

(CSI-1182-061R from CSTCONN - www.cstconn.com)

Female connector for Wire

(CSI-1183-0600 from CSTCONN - www.cstconn.com)

Dimension



Software

1. Proprietary command: NFC command manual under request